

101

C O P E N H A G E N



Foku Chair - Taupe

Designed by

Kristian Sofus Hansen &
Tommy Hyldahl

Foku Chair - Taupe

Product Description

Inspired by the tranquil artistry of Japanese Zen gardens, the Foku Lounge Chair brings organic harmony to the collection. Its fluted seat echoes the raked sand patterns of Zen gardens, balancing geometric precision with natural inspiration. With its plush foam layers and voluminous presence, the Foku Chair is as comfortable as it is visually compelling.

The fabric on the taupe lounge chair is from Sunproof with a special treatment to reduce stains and soil, not only practical but beautiful, complementing the compelling design with its elegant aesthetic.

Modular in function, multiple Foku Chairs can be seamlessly joined to create a versatile sofa lounge. Exceptional as a standalone statement, in a reading nook or as part of a modular sofa in spacious living areas. The Foku Lounge Chair brings sculptural comfort to any setting.

Each Foku Chair includes two metal brackets, which can be mounted underneath the legs with a small screw.

Designer Description

Tommy Hyldahl and Kristian Sofus Hansen intertwine their distinct sensibilities to create designs where storytelling, materiality, and timeless form meet in quiet harmony.

With a background in fashion, Tommy brings an intuitive eye for trends, colors, and textures. His process is one of layering histories, blending details and references from past design periods and reimagining them into something fresh and contemporary. Each collection unfolds as a narrative, evolving from concept to creation, with every element contributing to a greater story.

Kristian, who has lived and studied in Japan, seeks to unite Japanese aesthetics with Danish design, creating a characteristic twist on simplicity itself. His work is defined by the search for subtle, original details that elevate each piece with a unique signature. Drawing inspiration from art and sculpture, his creative process unfolds in new and exciting ways, always striving to craft designs that are both functional and timeless.

Together, they craft design that transcends time, poetic yet practical, expressive yet enduring.



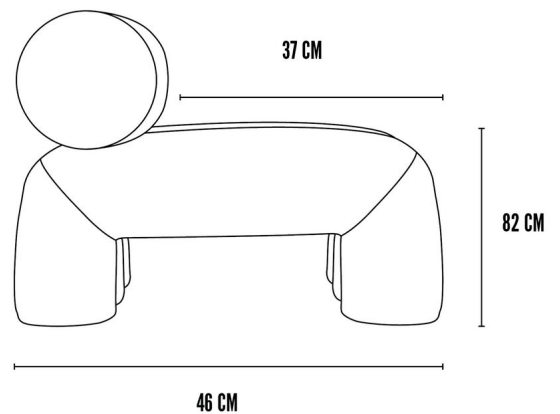
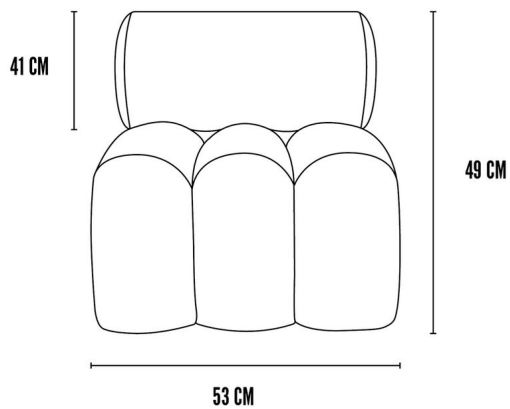
Foku Chair - Taupe

Main

SKU	233002	Product Family	Foku
Product name	Foku Chair - Taupe	Color	Taupe (Pallazo 163)
Product Type	Lounge Chair	Size	Regular
		Unit	Piece

Logistics

EAN number	4251501409359	Package - CBM	0.479
Package height in cm	73.00	Package - Weight KG	29.500
Package width in cm	67.00	Tariff Code No	9401610000
Package length in cm	98.00	Country of origin	China
Suitable for Courier	No	Quantity of Inner Boxes	1



Foku Chair - Taupe

Product

Materials	Sunproof Olefin	Net weight in kg	26
Item Height in cm	70.00	Space Suitability	
Item width in cm	65.00	Strength Test	No
Item length in cm	92.00	FSC Wood	No

Upholstery

Fabric	Pallazo 163	Cigarette Test - CAL-117	No
Martindale	18.000	Cigarette Test - EN 1021-1	Yes
Colour Fastness to Light	UV Standard 801	Cigarette Test - BS5852 Part 1	No
Pilling	5.000 Rubs	Match Flame Test - EN 1021-2	No
Oeko Tex	Yes	Ignition Source 5 (Crib 5) - BS 5852 Part 2	No
Fire Test Foam	CAL-117	NF P92-507 - Class M1	No

Foku Chair - Taupe

Family Description Text

Whispering the serenity of Japanese Zen gardens, the Foku Collection embodies a quiet dialogue between nature and design. Each piece, with its fluted forms reminiscent of raked sand patterns, carries a meditative rhythm where geometry and organic beauty find perfect harmony. Wrapped in plush layers and generous in presence, the collection invites both body and spirit to sink into comfort, offering designs that are as grounding as they are uplifting.

At the heart of its versatility lies its modular spirit. A single lounge chair stands with sculptural poise, yet when joined together, the pieces flow into an expansive couch that transforms with grace to suit the occasion. Whether creating a solitary refuge or a gathering space for many, the Foku Collection adapts effortlessly, becoming not only furniture, but a living landscape that reflects serenity, balance, and connection.

Color Description

Taupe is a classic neutral that bridges brown and grey. Earthy and muted, it carries a balance that feels softer than pure grey yet less warm than beige. Depending on the light, taupe can lean warmer with hints of brown or cooler with subtle grey notes. Timeless and versatile, it brings a grounded elegance that adapts effortlessly to both modern and traditional palettes.

Foku Chair - Taupe

Maintenance Guide Description

Sunproof upholstery is crafted for long-lasting comfort and resilience in outdoor environments. To preserve its beauty, vacuum or brush the fabric regularly to remove dust, pollen, and loose dirt. Spills should be blotted immediately with a clean, dry cloth; for most marks, rinsing with fresh water is enough.

For deeper cleaning, wash with a mild soap solution and lukewarm water using a soft sponge or cloth, then rinse thoroughly to prevent residue. Always allow the fabric to air-dry naturally avoid tumble drying, heat, or harsh chemicals such as bleach, which can damage the fibers and protective finish.

When furniture is not in use for extended periods, cover or store it in a dry, ventilated area to extend its life. With simple care, Sunproof upholstery will retain its vibrant color, soft texture, and high-performance qualities for many seasons outdoors.

Materials Description

Sunproof is a high-performance fabric engineered to thrive in outdoor environments. Woven from 100% Olefin, it is exceptionally resistant to fading, even after prolonged exposure to intense sunlight. Its water-repellent finish allows rain and spills to bead and roll off with ease, ensuring long-lasting beauty with minimal care.

Enhanced with advanced ultraviolet blocking agents, Sunproof protects its fibers from the damaging effects of UV radiation. Certified under the UV Standard 801 with a Protection Factor of 80, it blocks more than 97% of harmful rays, offering both durability and peace of mind. Combining strength, comfort, and refined performance, Sunproof Olefin is a trusted choice for enduring outdoor living.